

**Power supply**

Supply voltage	12 to 30VDC
Power consumption	0.5 Wmax

**Serial interface**

Serial standard	RS485
No. of ports	1
Connector	Green 3 pin screwable terminal H-19mm * W10.5mm, Pitch 5.06mm
RS485 signals	Data+, Data-
Protocol	Modbus RTU
RS485 data direction control	Auto
Baudrate	300 to 115200 bps
Parity	None, odd, even
Stop bits	1,2
Data bits	7,8

**Ethernet interface**

No. of ports	1
Connector	8 pin RJ45
Speed	10/100 Mbps
Transmission distance	Max upto 100 m
Protocol	TCP (server, client), Modbus TCP
Standards	IEEE802.3, IEEE802.3u
Magnetic isolation protection	1.5KV
IP configuration	DHCP/Auto IP, static IP
Signals	Tx+, Tx-, Rx+, Rx-

**Configuration**

Windows utility	Used for Ip finding, network configuration, serial configuration
OS Support for Utility	32-bit/64-bit Windows XP/Vista/7/8/8.1/10, windows server 2003/2008/2008 R2/2012 R2

**LED indication & Reset key**

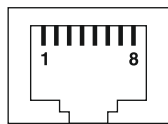
Indicator	Function	Description
Power	Power on	Converter has power
Link	Network link	ON when network is connected
TX	RS485 transmit data	Flashing when sending data
RX	RS485 receive data	Flashing when receive data
Reset switch	Factory reset	Reset switch for factory reset

**Environmental condition**

Operating temperature	0 to 55°C
Storage temperature	-10 to 80°C
Ambient relative humidity	95% RH
Enclosure	Plastic body
Dimensions	2M size

**Ethernet port**

PIN	SIGNAL
1	Tx +
2	Tx -
3	Rx +
4	---
5	---
6	Rx -
7	---
8	---



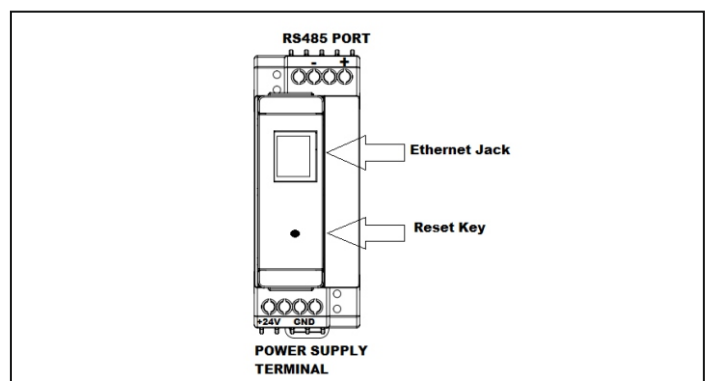
**RS485 pinouts**

PIN	SIGNAL
1	RS485 +
2	---
3	RS485 -
4	---

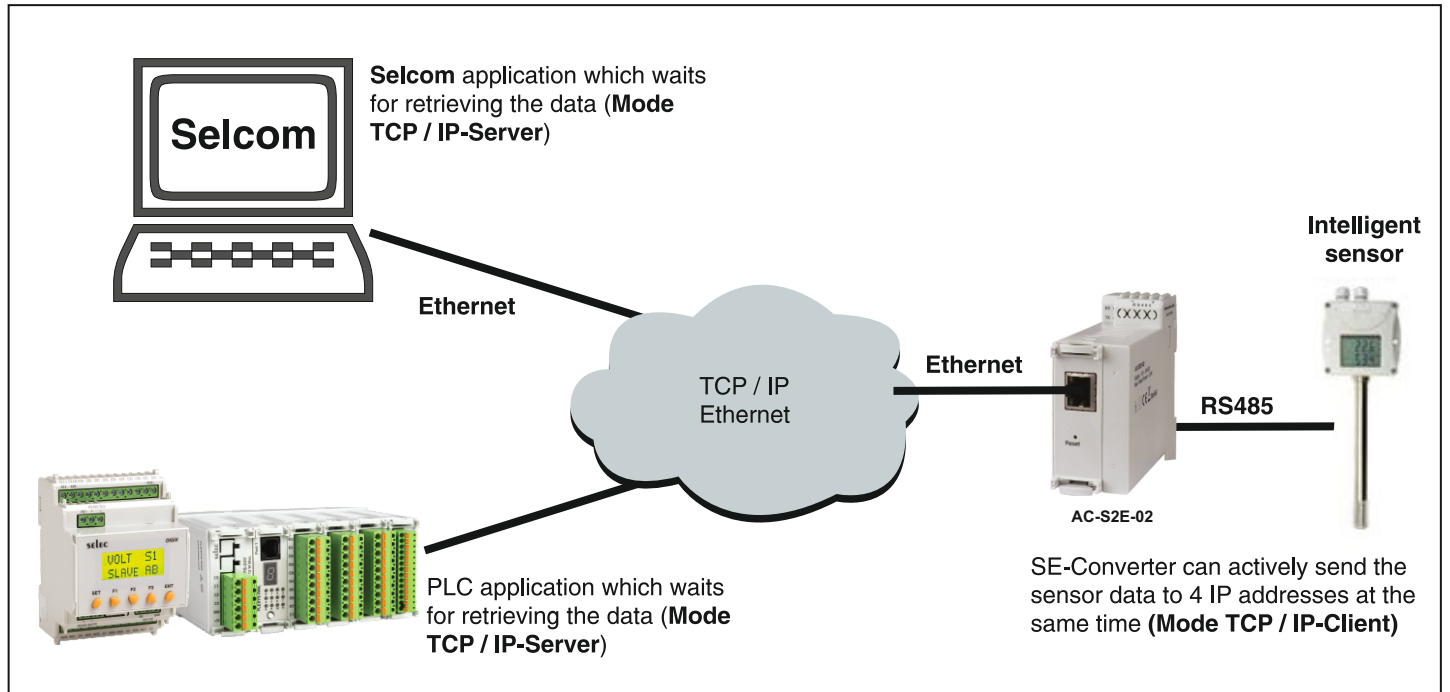
**Power supply pinout**

PIN	SIGNAL
1	+VCC
2	---
3	GND
4	---

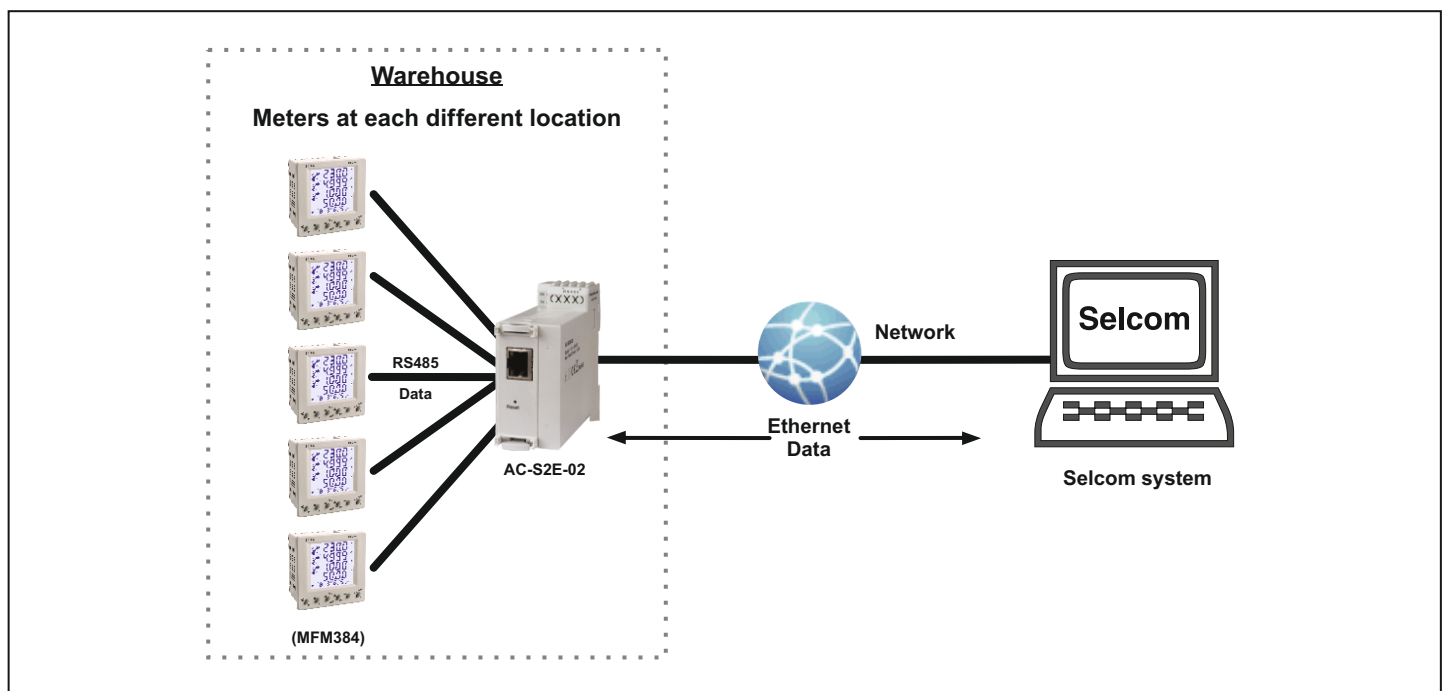
**Connection diagram**



Network diagram for client mode



Network diagram for server mode



Ordering information

Product	Order code	Certification
AC-S2E-02	AC-S2E-02	---